

⚠ WARNINGS AND CAUTIONS

- Make sure **POWER** is **COMPLETELY OFF** at the fuse box
- Have your fixture installed by a qualified licensed electrician
- Prepare everything in a clear area
- Wear gloves at all times during this installation
- Read instructions carefully before you start assembly
- Keep this installation sheet for future reference

Please Note:

- This Alora LED fixture comes with pre-wired LED module(s)
- Unless instructed, Do Not touch any part of the LED module(s) as any unnecessary contact with the module could cause permanent damage
- For dimming, an ELV (Electronic Low Voltage) or TRIAC type of dimmer is required or 0-10V Dimmer
- 120-277V input

NOTICE

• The important safeguards and instructions outlined in this sheet cannot cover all possible conditions and situations that may occur. It must be understood that caution and certain care factors must be followed. These instructions are provided for your safety and we highly recommend that a licensed, trained electrician install this unit.

• This fixture is designed to be mounted on a correctly installed standard round or octagon box OR through a wiring box with a plaster frame. The box must be securely mounted to the structure of the building. The crossbar and hardware supplied should be used, directly mounting the fixture to the outlet box may make it impossible to correctly align the fixture.

ASSEMBLY INSTRUCTIONS

Step 1

Remove fixture from its original package.

Step 2

Separate mounting plate (1c) from canopy (2a) by removing canopy screws (2b).

Step 3

Attach mounting plate (1c) to electrical junction box (1a) using junction box screws provided (1e) in hardware package.

Step 4

Secure mounting plate (1c) to mounting surface with anchors (1f) and screws (1g).

Step 5

Hook rods (2d) together and determine hanging height of fixture by securing rods (2d) to canopy (2a) and fixture (3a) after feeding fixture wires (LED+ and LED-) through rods.

Step 6

Attach safety hooks (1d) to mounting plate (1c).

Step 7

Make proper electrical connections between LED and DC driver, LED-Negative, LED+ Positive using quick connector provided (See Illustration 1 and refer to diagram on driver).

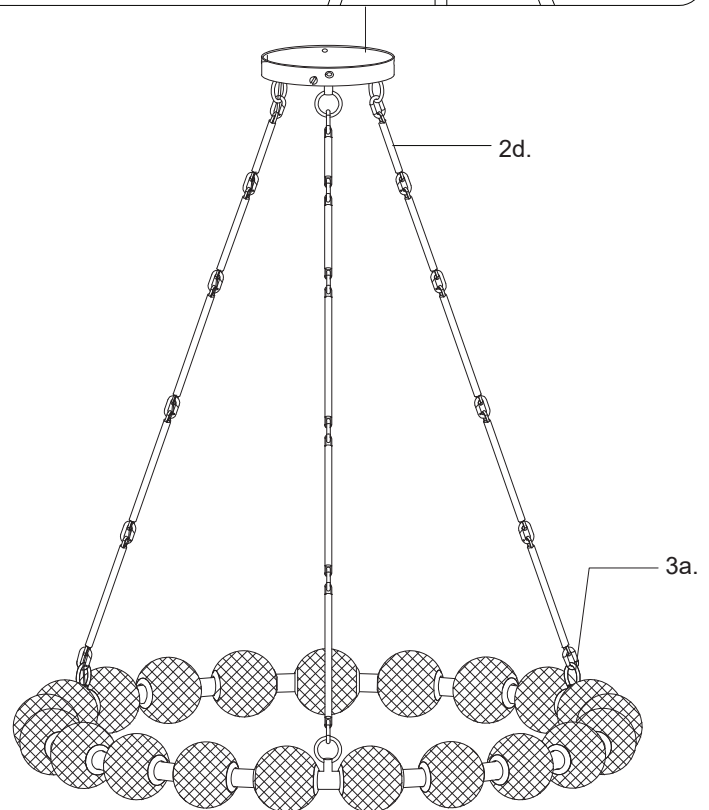
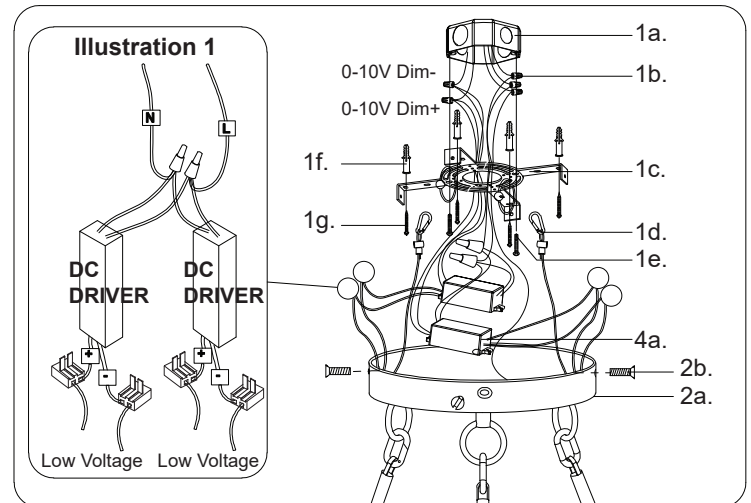
Step 8

Make proper electrical connections (**black to hot "L"**, **white to neutral "N"**, **ground to "GND"**) with wire nuts (1b) provided in hardware package. Connect 0-10V dimming wire, DIM+ to purple, DIM- to gray, with wire nuts provided

Step 9

Attach canopy (2a) to mounting plate (1c) with canopy screws (2b).

You are now ready to enjoy your fixture.



CH321041-UNV-010

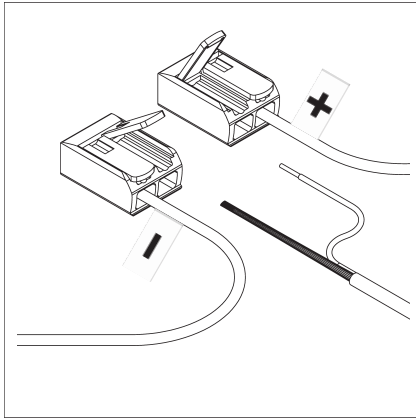
Chandelier

TECHNICAL SUPPORT

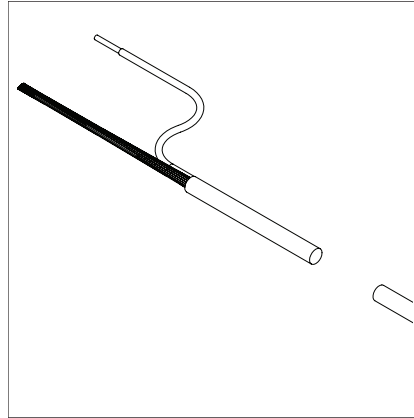
1.855.855.8926

technicalsupport@aloralighting.com

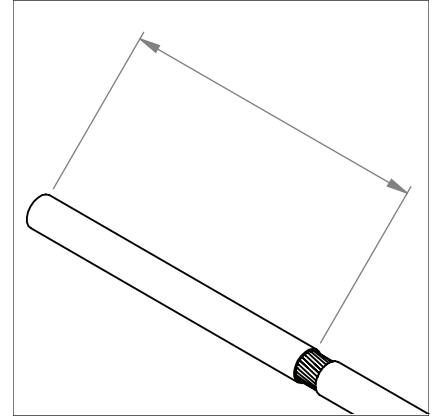
Instruction for Shortening Wire Length



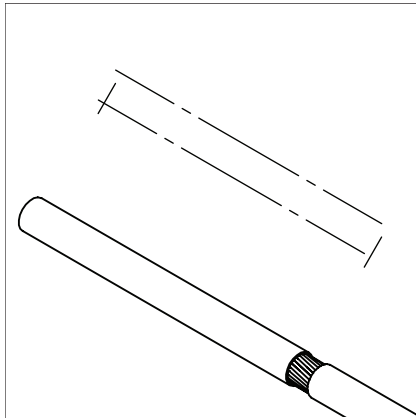
Step 1. MAKE SURE POWER IS OFF. Open terminal blocks to disconnect wires from driver



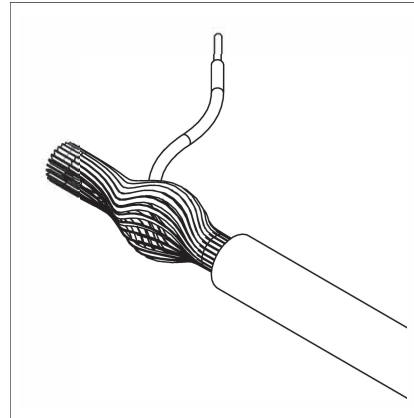
Step 2. Cut off excess wire length



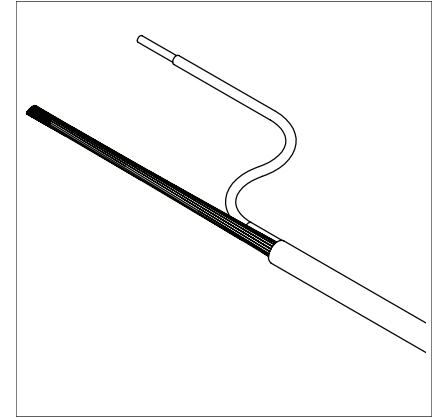
Step 3. Approximately 1" from tip of wire, carefully cut outer insulation to expose meshed metal shielding inside.



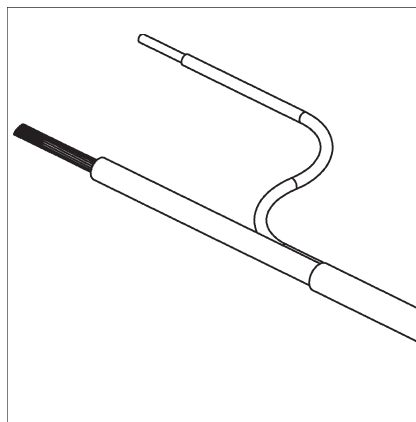
Step 4. Remove outer insulation tube to expose meshed metal shielding. MAKE SURE TO KEEP THIS INSULATION TUBE



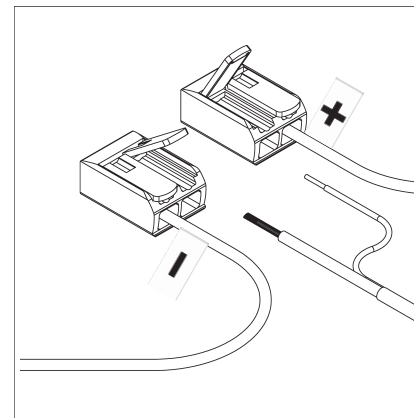
Step 5. Careful push to separate metal mesh shielding to expose inner wire, take inner wire out from side of metal mesh shielding.



Step 6. Expose inner conductor by removing inner insulation. Reorganize metal mesh shielding.



Step 7. Place 1" outer insulation tube over metal mesh shielding. Use a heat-gun or lighter, evenly heat tubing for 10 secs. This will cause tubing to shrink secure tubing over mesh shielding, to act as electrical insulation.



Step 8. Reconnect wire to driver, metal mesh shielding connects to LED- (Black Wire), inner conductor to LED+ (Red Wire). Close terminal blocks to secure connection.

alora

P: 1.855.855.8926

CANADA: 19054 28th Avenue Surrey - BC V3Z 6M3

USA: 3035 E. Lone Mountain Rd - Las Vegas, NV, 89081

www.aloralighting.com

20240206