

⚠ WARNINGS AND CAUTIONS

Important: ALWAYS be sure to disconnect power before re-lamping or wiring the fixture. Read these instructions completely before starting installation.

To avoid the risk of fire and/or shock fixture must be installed in compliance to national and local electrical and building codes.

If an existing fixture is being replaced take special notice of which wires were connected in the outlet box.
DO NOT SEPARATE ANY WIRES THAT MAY BE EXISTING IN THE JUNCTION BOX
DO NOT DAMAGE THE INSULATION OF JUNCTION BOX WIRES.

In Regular circumstances the BLACK wire will be "live", WHITE will be "neutral" and GREEN or BARE COPPER will be "ground". In older buildings it is always good practice to reconfirm the polarity of the wiring.

NOTICE

- The important safeguards and instructions outlined in this sheet cannot cover all possible conditions and situations that may occur. It must be understood that caution and certain care factors must be followed. These instructions are provided for your safety and we highly recommend that a licensed, trained electrician install this unit.
- This fixture is designed to be mounted on a correctly installed standard round or octagon box OR through a wiring box with a plaster frame. The box must be securely mounted to the structure of the building. The crossbar and hardware supplied should be used, directly mounting the fixture to the outlet box may make it impossible to correctly align the fixture.

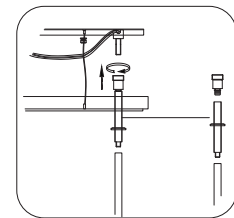


Figure 1

ASSEMBLY INSTRUCTIONS

Step 1

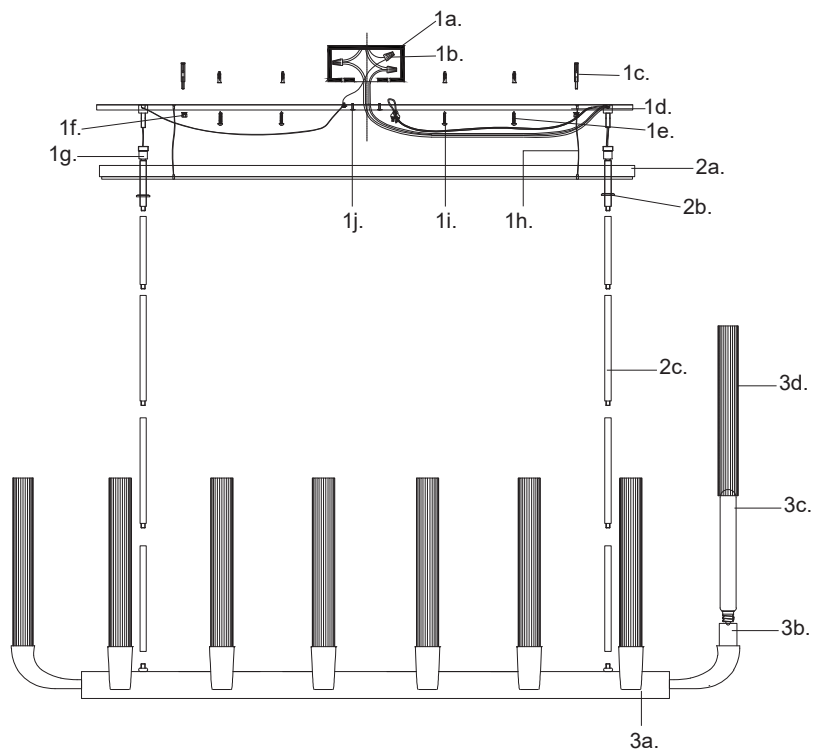
Remove the mounting plate (1d) from within the canopy (2a) by loosening the two canopy pivots (1g). Determine the desired length the fixture will hang by selecting from the assorted rod sizes supplied (2c). Slide selected rods through the fixture wires and thread the rod assembly to fixture body (3a). Secure the fixture assembly to the canopy by feeding the fixture wires through the mounting collar, fixture pivot and canopy and thread the rod assembly to the fixture pivots (1g) (figure 1).

Step 2

Attach the mounting plate (1d) to junction box (1a), using two junction box screws (1j) (not provided). *For additional support install four anchor screws (1h) and anchors (1f) through mounting plate into ceiling*. To assist in the installation, support cables are included within the canopy. Secure the cables (1h) to the mounting plate before wiring the fixture and connect the safety cable link (1i) to the mounting plate. Cut down the extra wire and connect fixture wires to junction box wires using the marrettes provided (1b). (white to white "N", black to black "L", green to green "G"). Place the canopy over the mounting plate and secure it by sliding the mounting collar (2b) up and threading to secure the fixture to the ceiling.

Step 3

Install recommended lamps (3c) (not provided) (referred on the socket label for maximum wattage and type) to fixture sockets (3b). Secure the glass shades (3d) by placing them over lamps and securing in the shade holders (3b). Finally restore power. *If fixture has integrated LED (Lighting Emitting Diodes) lamp installation is not required*



You are now ready to enjoy your fixture.