

LP335838

Linear Pendant

TECHNICAL SUPPORT

1.855.855.8926

technicalsupport@aloralighting.com

⚠ WARNINGS AND CAUTIONS

- Make sure **POWER** is **COMPLETELY OFF** at the fuse box
- Have your fixture installed by a qualified licensed electrician
- Prepare everything in a clear area
- Wear gloves at all times during this installation
- Read instructions carefully before you start assembly
- Keep this installation sheet for future reference

Please Note:

- 120V input

NOTICE

- The important safeguards and instructions outlined in this sheet cannot cover all possible conditions and situations that may occur. It must be understood that caution and certain care factors must be followed. These instructions are provided for your safety and we highly recommend that a licensed, trained electrician install this unit.

ASSEMBLY INSTRUCTIONS

Step 1

Remove fixture from its original package.

Step 2

Separate mounting plate (1c) from canopy (2a) by loosening the two canopy pivots (2b).

Important: This fixture must be mounted independently from junction box, additional means of support is required.

Step 3

Secure canopy pivots (2b) to canopy (2a) and secure with mounting collar nut (2c).

Step 4

Determine hanging height of fixture by securing rods (2d) to canopy pivots (2b) and fixture body after feeding fixture wires through rods.

Step 5

Make proper electrical connections (**black to hot "L"**, **white to neutral "N"**, **ground to "GND"**) with wire nuts (1b) provided in hardware package.

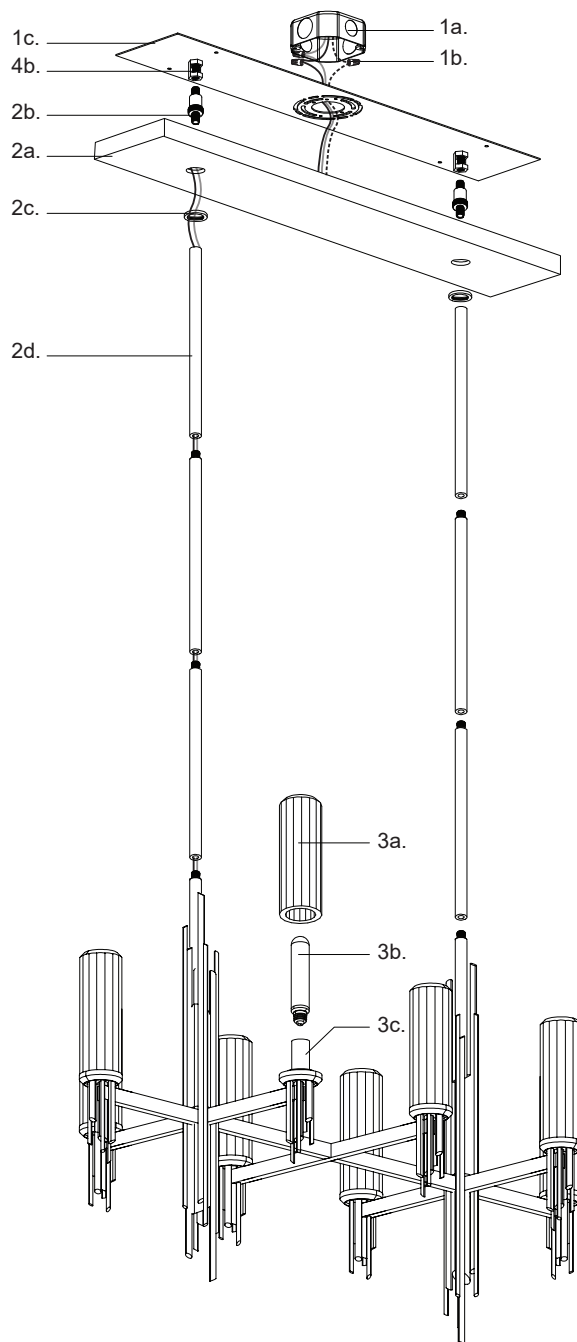
Step 6

Secure canopy (2a) to mounting plate (1c) by attaching canopy pivot (2b) to hickey (4b).

Step 7

Install the recommended lamp (3b) (not provided) (referred on the socket label for maximum wattage and type) to fixture socket (3c), followed by shade (3a).

You are now ready to enjoy your fixture.



alora

P: 1.855.855.8926

CANADA: 19054 28th Avenue Surrey - BC V3Z 6M3

USA: 3035 E. Lone Mountain Rd - Las Vegas, NV, 89081

www.aloralighting.com

20221108