

⚠ WARNINGS AND CAUTIONS

Important: ALWAYS be sure to disconnect power before re-lamping or wiring the fixture. Read these instructions completely before starting installation.

To avoid the risk of fire and/or shock fixture must be installed in compliance to national and local electrical and building codes.

If an existing fixture is being replaced take special notice of which wires were connected in the outlet box.
DO NOT SEPARATE ANY WIRES THAT MAY BE EXISTING IN THE JUNCTION BOX
DO NOT DAMAGE THE INSULATION OF JUNCTION BOX WIRES.

In Regular circumstances the BLACK wire will be “live”, WHITE will be “neutral” and GREEN or BARE COPPER will be “ground”. In older buildings it is always good practice to reconfirm the polarity of the wiring.

NOTICE

- The important safeguards and instructions outlined in this sheet cannot cover all possible conditions and situations that may occur. It must be understood that caution and certain care factors must be followed. These instructions are provided for your safety and we highly recommend that a licensed, trained electrician install this unit.
- This fixture is designed to be mounted on a correctly installed standard round or octagon box OR through a wiring box with a plaster frame. The box must be securely mounted to the structure of the building. The crossbar and hardware supplied should be used, directly mounting the fixture to the outlet box may make it impossible to correctly align the fixture.

ASSEMBLY INSTRUCTIONS

Step 1

Place the top shade (3h) on the top of the fixture ring (3i). Secure the three suspension rods (3c) to the fixture ring (3i) by tightening the set screws with the Allan key provided (3e). Feed the fixture wires through stem (3d), center fixture rod (3a) and suspension hub (2d). (Black wire sleeve (2e) is attached to fixture wires to assist in feeding the wire through the fixture assembly. This sleeve can be removed during step 3). Insert the top end of the center fixture rod (3a) to fixture suspension hub (2d) and tighten using the Allan Key provided (2f). Thread the bottom end of center fixture rod (3a) to stem (3d) followed by threading stem (3d) to bulb cluster assembly (4a). Slide the lock nut (3b) and the washers down to secure the top glass shade (3h).

Step 2

Determine the desired length the fixture will hang by selecting from the assorted rod sizes supplied (2c). Slide selected rods through the fixture wires and thread the rod assembly to fixture suspension hub (2d). Remove the mounting crossbar (1c) from within the canopy (2a) by loosening the mounting collar nut (2b). Slide mounting collar nut (2b) followed by canopy (2a) through wire and rods. Feed fixture wires through canopy pivot (1d) and mounting crossbar (1c) and thread canopy pivot (1d) to fixture assembly.

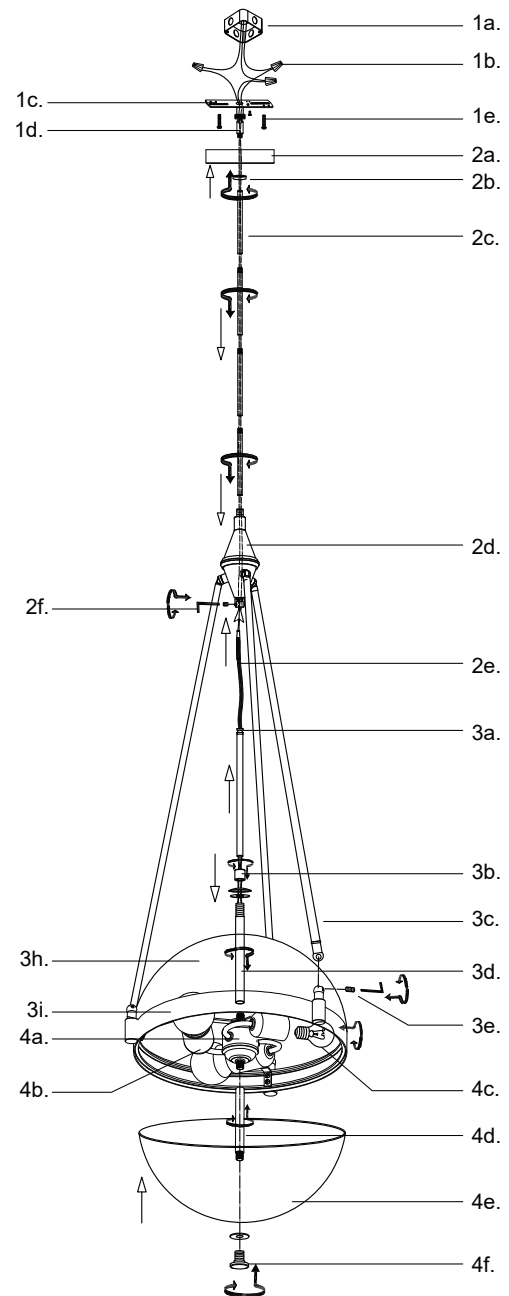
Step 3

Attach the mounting crossbar (1c) to the junction box (1a) using two junction box screws (not provided) (1e). Cut down the extra wire and connect fixture wires to the junction box wires using the marrettes provided (1b) (the black wire sleeve that is attached to the fixture wires can be removed as it is not required to complete installation) (white to white “N”, black to black “L”, green to green “G”). Push the canopy (2a) up towards the ceiling and thread on the collar nut (2b). This will secure the canopy to the mounting plate.

Step 4

Install the recommended lamps (4c) (not provided) (referred on the socket label for maximum wattage and type) to the fixture socket (4b). Thread stem (4d) to bulb cluster assembly (4a) and secure the bottom glass shade (4e) to the fixture ring (3i) by threading the washer and thumb screw (4f) into stem (4d) and restore power. *If fixture has integrated LED (Lighting Emitting Diodes) lamp installation is not required.

You are now ready to enjoy your fixture.



P. 1.833.MY ALORA (692.5672)

CANADA: 102-19028 27TH Ave. - Surrey, BC V3Z 5T1

USA: 3035 E. Lone Mountain Rd - Las Vegas, NV, 89081

www.aloralighting.com