

# TL316616

Table Lamp

## TECHNICAL SUPPORT

1.833.MY ALORA(692.5672)

technicalsupport@aloralighting.com

## WARNINGS AND CAUTIONS

**Important: ALWAYS be sure to disconnect power before re-lamping or wiring the fixture. Read these instructions completely before starting installation.**

For your safety this lamp is outfitted with a polarized plug (one blade is wider than the other). If the plug does not fit securely into the outlet, do not force it - contact a licensed electrician. The plug can be used with an extension cord only if it can be fully inserted into the cord's socket. Never alter the plug in any way.

This lamp comes with all wires connected. When unpacking, be careful not to pull the electrical wire as damaged may occur. Do not connect the fixture to power until fully assembled. To reduce the risk of fire, electrical shock, or personal injury, always turn off fixture and allow it to cool prior to replacing the light bulb.

In Regular circumstances the BLACK wire will be "live", WHITE will be "neutral" and GREEN or BARE COPPER will be "ground". In older buildings it is always good practice to reconfirm the polarity of the wiring.

## NOTICE

- The important safeguards and instructions outlined in this sheet cannot cover all possible conditions and situations that may occur. It must be understood that caution and certain care factors must be followed. These instructions are provided for your safety and we highly recommend that a licensed, trained electrician install this unit.
- This fixture is designed to be mounted on a correctly installed standard round or octagon box OR through a wiring box with a plaster frame. The box must be securely mounted to the structure of the building. The crossbar and hardware supplied should be used, directly mounting the fixture to the outlet box may make it impossible to correctly align the fixture.

## ASSEMBLY INSTRUCTIONS

### Step 1

Remove fixture from its original package.

### Step 2

Attach shade (3c) to fixture arm coaxial connector (3a) and secure with filament (3b), followed by nut (3d).

### Step 3

Insert plug (1a) into outlet.

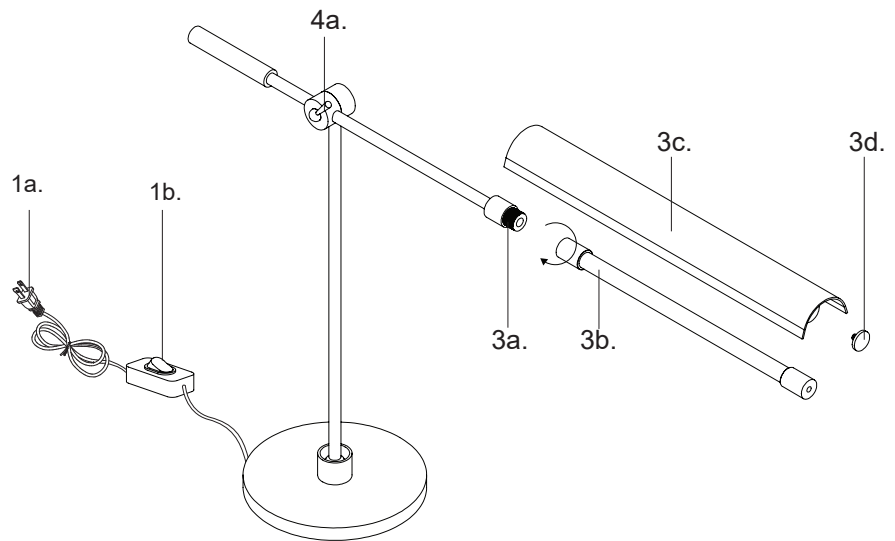
### Step 4

Use rocker switch (1b) to turn on/off.

### Step 5

Use lock (4a) to unlock fixture to adjust tilt and lock in place.

You are now ready to enjoy your fixture.



alora

P. 1.833.MY ALORA (692.5672)

CANADA: 19054 28th Avenue - Surrey, BC V3Z 6M3

USA: 3035 E. Lone Mountain Rd - Las Vegas, NV, 89081

www.aloralighting.com