

## DOUGLAS FM351004

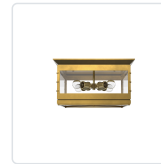
FIXTURE DIMENSIONS	L18" x W18" x H10-1/8"
LAMP TYPE	E26
MAX WATTAGE	60W
BULB QTY	4
BULBS INCLUDED	No
VOLTAGE	120V
GLASS DETAILS	Clear Glass
MATERIAL	Steel
LOCATION	Dry
PAINT FINISH	UB01; VB01;

[ D - Diameter, L - Length, W - Width, H - Height, E - Extension ]

### AVAILABLE FINISHES:

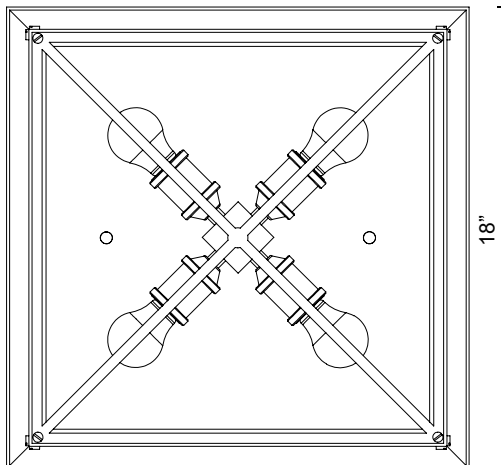
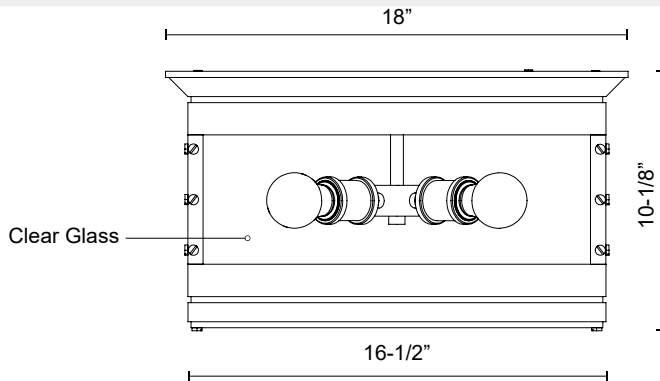


FM351004UB  
Urban Bronze



FM351004VB  
Vintage Brass

\*For complete warranty terms, please visit: [www.aloralighting.com/warranty](http://www.aloralighting.com/warranty)



WWW.ALORALIGHTING.COM