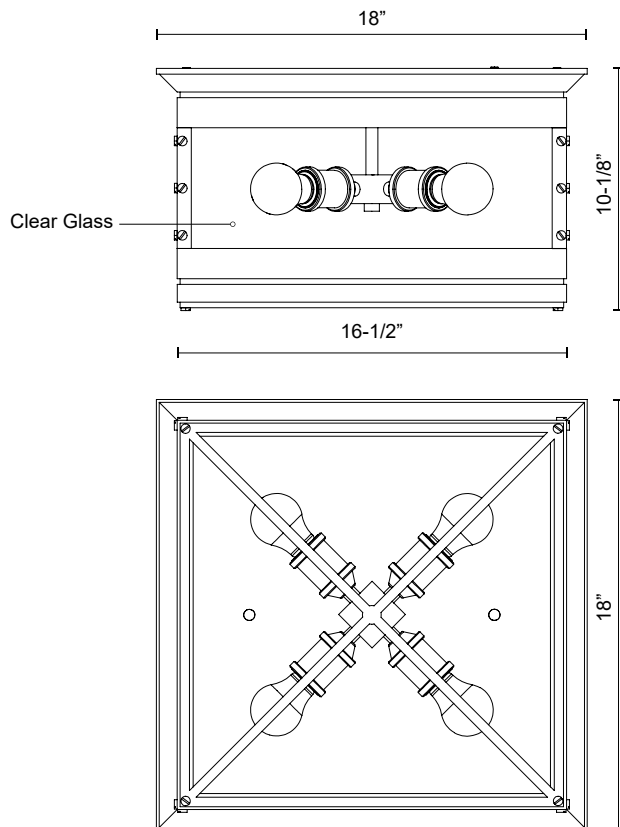


DOUGLAS FM351004UB

FIXTURE DIMENSIONS	L18" x W18" x H10-1/8"
LAMP TYPE	E26
MAX WATTAGE	60W
BULB QTY	4
VOLTAGE	120V
BULBS INCLUDED	No
GLASS DETAILS	Clear Glass
MATERIAL	Steel
LOCATION	Dry
BARCODE	UPC 691759060331
FINISH OPTION(S)	Urban Bronze

[D - Diameter, L - Length, W - Width, H - Height, E - Extension]

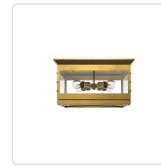


AVAILABLE FINISHES:



FM351004UB

Urban Bronze



FM351004VB

Vintage Brass

*For complete warranty terms, please visit: www.aloralighting.com/warranty