

MARNI PD321212



FIXTURE DIMENSIONS	L145-1/2" x W4-3/8" x H4-3/8"
LIGHT SOURCE	LED with Remote Driver
WATTAGE	85W
TOTAL LUMENS	6150lm
DELIVERED LUMENS	2400lm*
VOLTAGE	48V DC Input
COLOR TEMPERATURE	3000K
CRI (RA)	90CRI
DIMMABLE	Yes, TRIAC/ELV Dimmer (Not Included)
DIFFUSER DETAILS	Clear Carved Acrylic
MATERIAL	Aluminum; Clear Carved Acrylic; Iron;
LOCATION	Dry
CANOPY DIMENSIONS	D2-7/8" x H1-3/8"
REMOTE DRIVER	Powered by DR48-119-UNV-RT Remote Driver (Sold Separately)
PAINT FINISH	PN01

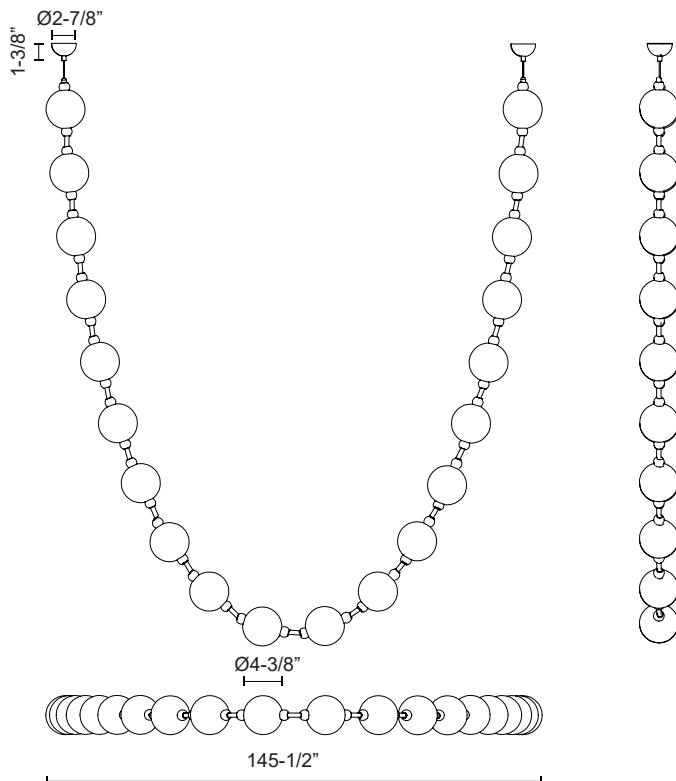
[D - Diameter, L - Length, W - Width, H - Height, E - Extension]

AVAILABLE FINISHES:



PD321212PN
Polished Nickel

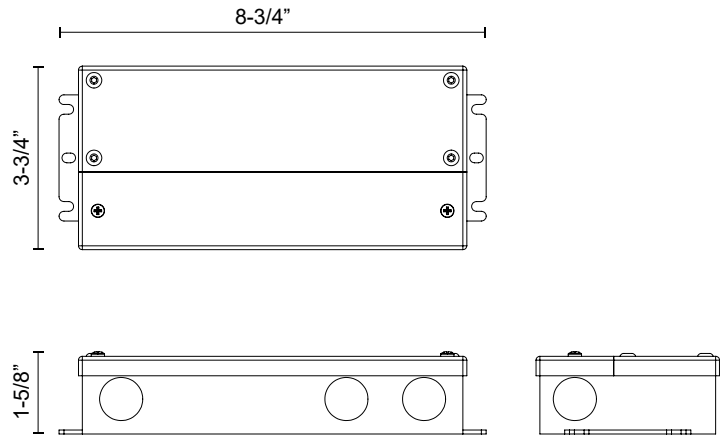
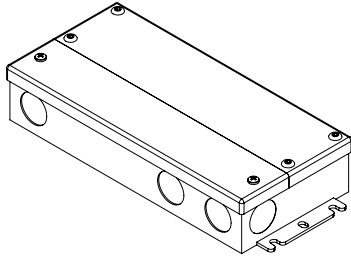
*For complete warranty terms, please visit: www.aloralighting.com/warranty



REMOTE DRIVER DR48-119-UNV-RT

DRIVER

PROJECT



SPECIFICATION DETAILS

* For custom options, consult factory for details.

Fixture Dimensions	L8-3/4" x W3-3/4" x H1-5/8"
Wattage	120W
Voltage	120-277V
Output	48V DC, 2.5A
Power Factor	≥0.95
THD	<10%
Dimming	100% - 10%, TRIAC or ELV Dimmer (Not Included)
Certification	cULus, FCC, RoHS
Location	Damp
Weight	3 LBS
Warranty	5 Years
Mounting Orientation	Max 30ft from fixture with 18AWG (See Illustration Sheet for more details)

alora

19054 28TH AVENUE
SURREY - BC V3Z 6M3
CANADA

WWW.ALORALIGHTING.COM

COMMENT

