

LANCASTER WV361101

| | |
|--------------------|------------------------------|
| FIXTURE DIMENSIONS | W4-1/8" x H20-1/4" x E7-1/4" |
| HEIGHT FROM CENTER | 13-3/8" |
| EXTENSION | 7-1/4" |
| LAMP TYPE | E26 |
| MAX WATTAGE | 60W |
| BULB QTY | 1 |
| BULBS INCLUDED | No |
| VOLTAGE | 120V |
| GLASS DETAILS | Clear Glass |
| MATERIAL | Brass; Steel; |
| LOCATION | Damp |
| CANOPY DIMENSIONS | W4-1/8" x H9-7/8" x E7/8" |

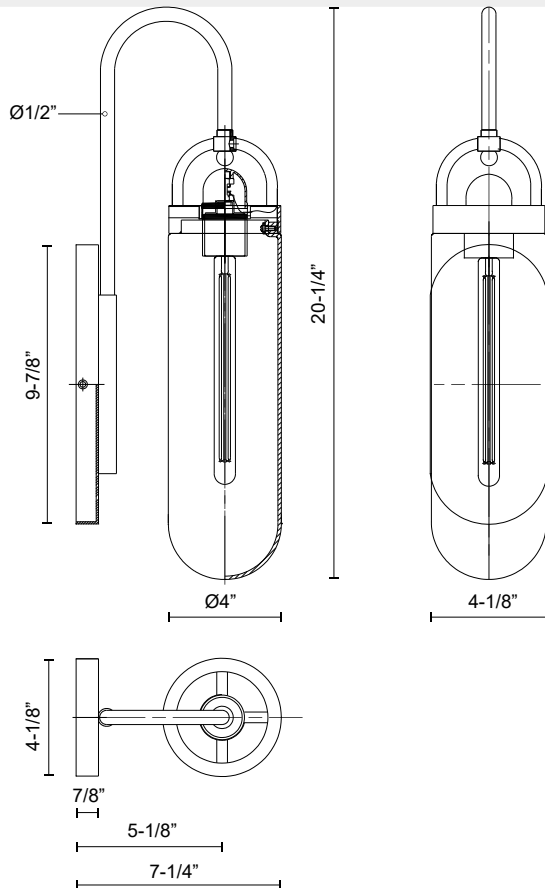
[D - Diameter, L - Length, W - Width, H - Height, E - Extension]

AVAILABLE FINISHES:



WV361101PN
Polished Nickel

*For complete warranty terms, please visit: www.aloralighting.com/warranty



WWW.ALORALIGHTING.COM

© 2021 KUZCO LIGHTING. ALL RIGHTS RESERVED.

