

alora mood

P. 1.855.855.8926

CANADA: 19054 28TH Avenue Surrey - BC V3Z 6M3

USA: 3035 E. Lone Mountain Rd - Las Vegas, NV, 89081

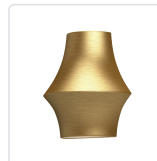
EMIKO WV523210



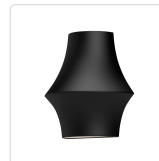
FIXTURE DIMENSIONS	W9-1/2" x H10" x E4-3/4"
HEIGHT FROM CENTER	5-3/8"
EXTENSION	4-3/4"
LAMP TYPE	E12
MAX WATTAGE	60W
BULB QTY	1
BULBS INCLUDED	No
VOLTAGE	120V
MATERIAL	Aluminum; Steel;
INSTALL OPTIONS	Up/Down; Wall;
LOCATION	Damp
PAINT FINISH	BG02; MB01;

[D - Diameter, L - Length, W - Width, H - Height, E - Extension]

AVAILABLE FINISHES:

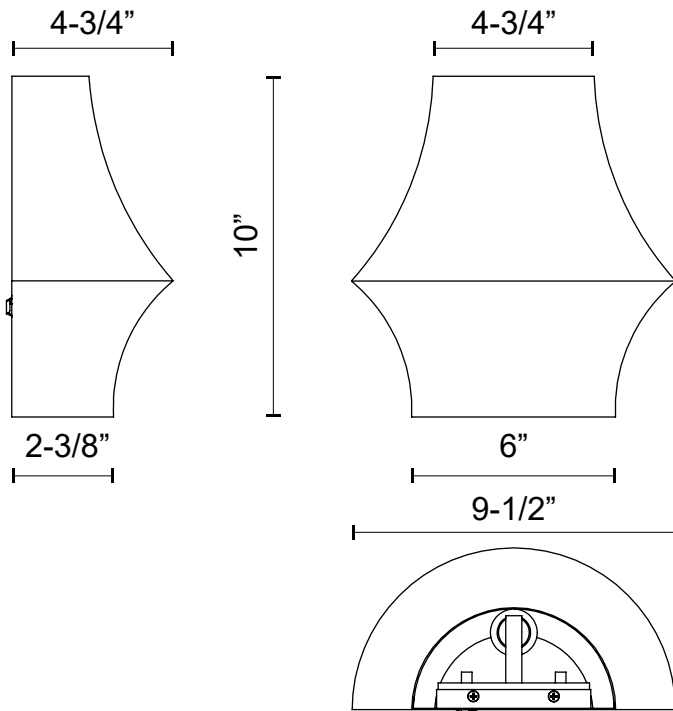


WV523210BG
Brushed Gold



WV523210MB
Matte Black

*For complete warranty terms, please visit: www.aloralighting.com/warranty



WWW.ALORAMOOD.COM

© 2022 KUZCO LIGHTING. ALL RIGHTS RESERVED.

